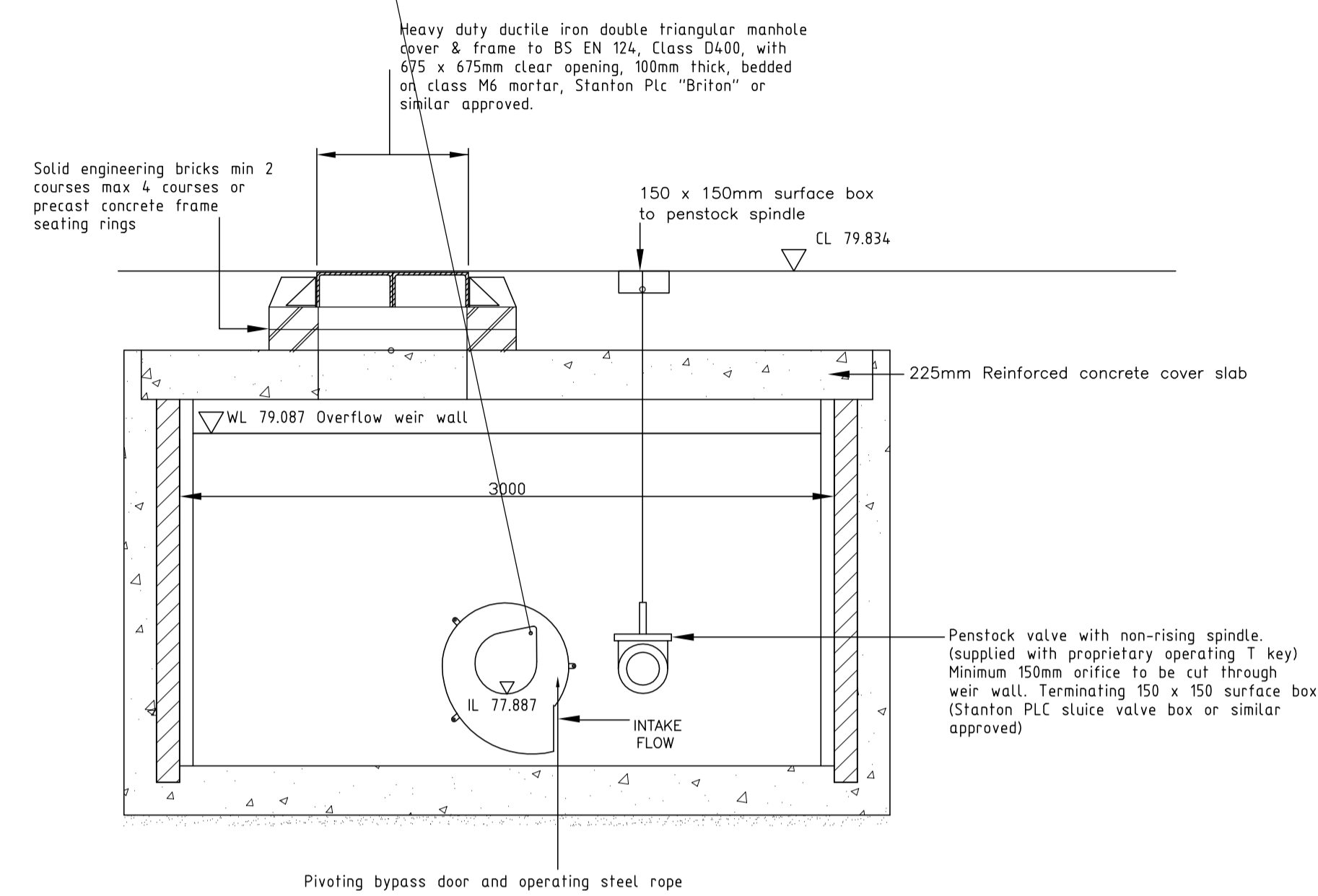
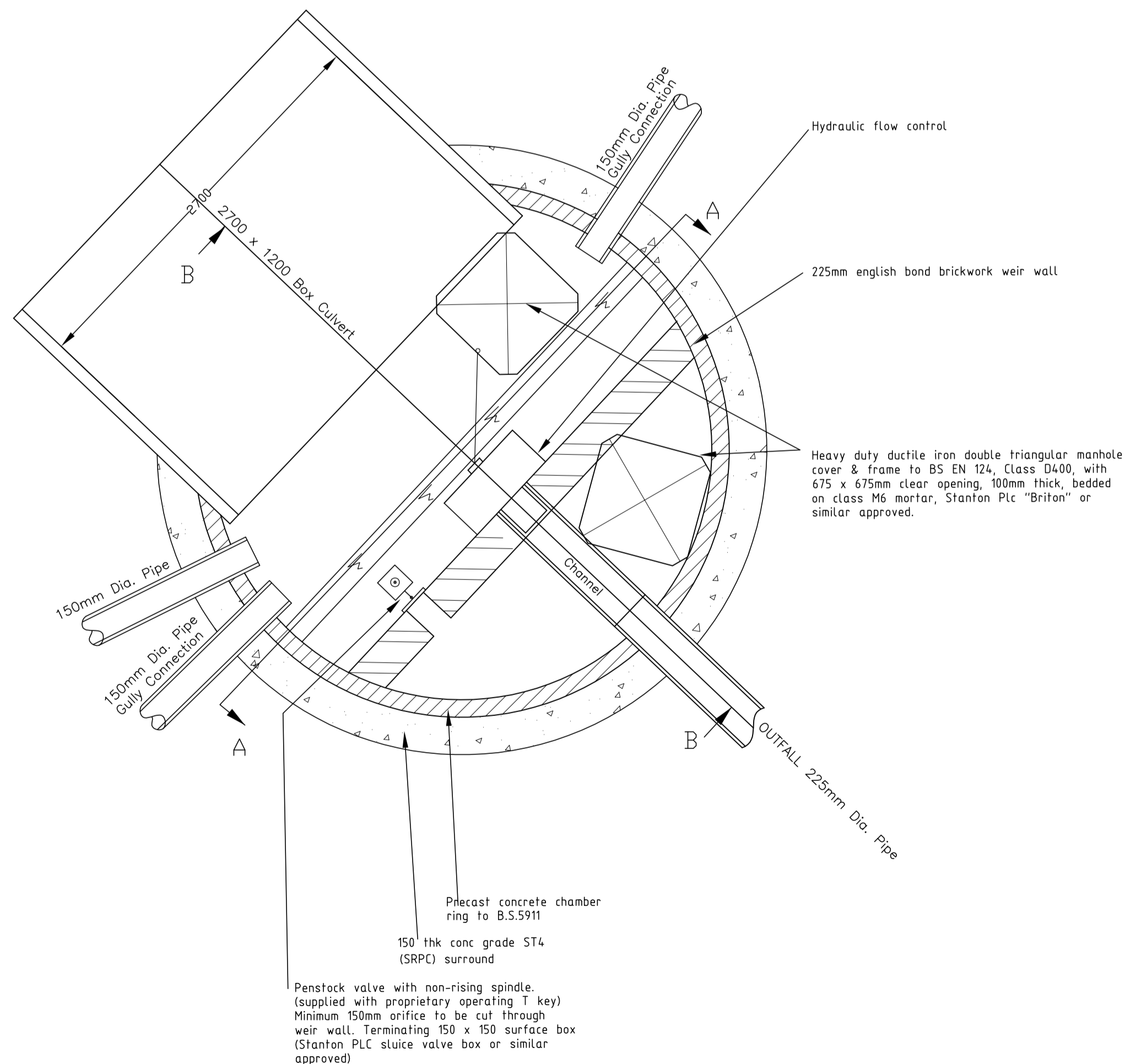


Section B-B



Section A-A



Low Level Plan On Control Chamber

Armstrong
Stokes &
Clayton Limited

Low Level Plan On Control Chamber

NOTES

DO NOT SCALE FROM THIS DRAWING.
ALL DIMENSIONS MUST BE
CHECKED/VERIFIED ON SITE

1. This drawing is not to be scaled.
2. This drawing is to be read in conjunction with all other relevant Engineers and Architects details.
3. All work is to be carried out in accordance with the current British Standards, B.S. Codes of Practice and Building Regulations.
4. All work is to be constructed in accordance with WSA "Sewers for Adoption (6th Edition)" and "Civil Engineering Specification for the Water Industry (6th Edition) and the Statutory Undertakers requirements.
5. This drawing to be read in conjunction with all other relevant drainage details applicable to this scheme.
6. Pipe bends to suit direction of flow.
7. High strength granolithic concrete topping to benching to be steel trowel finished to a dense smooth face and neatly shaped to all branch connections in accordance CESWI.
8. All dimensions are in millimetres unless noted otherwise.
9. Flexible joints shall be provided within the pipeline at the Manhole Chamber in accordance with CESWI.
10. All concrete used in the construction of manholes shall be sulphate resisting portland cement to CESWI.

Notes

Warning signs are to be 40mm high red lettering on a white plastic base. The plastic base dimensions are to be approx. 300 x 300 x 6mm

Sign in this manhole to read "CAUTION HYDROBRAKE HERE"

A sign must be fitted in the upstream manhole to read "CAUTION - HYDROBRAKE DOWNSTREAM"

A sign must be fitted in the downstream manhole to read "CAUTION - HYDROBRAKE UPSTREAM"

The base is to be resistant to attack by sewage environment.

Armstrong Stokes & Clayton Limited

Civil & Structural Engineering Consultants
The Book Shop Chambers, 54 King Street, Southwell, Nottinghamshire, NG25 0EN
Tel: 01636 814 815 Fax: 01636 816 343
Client:

Peveril Homes Limited

Job Title:
Proposed Development at Burton Road
Tutbury
Staffordshire

Drawing Title:
Control Chamber

Drawing number:
P119A/317/P

Drawn: Date: Scale:
JLW November 2012 1:25