

SCALE 1:20

THRUST BLOCK TABLE

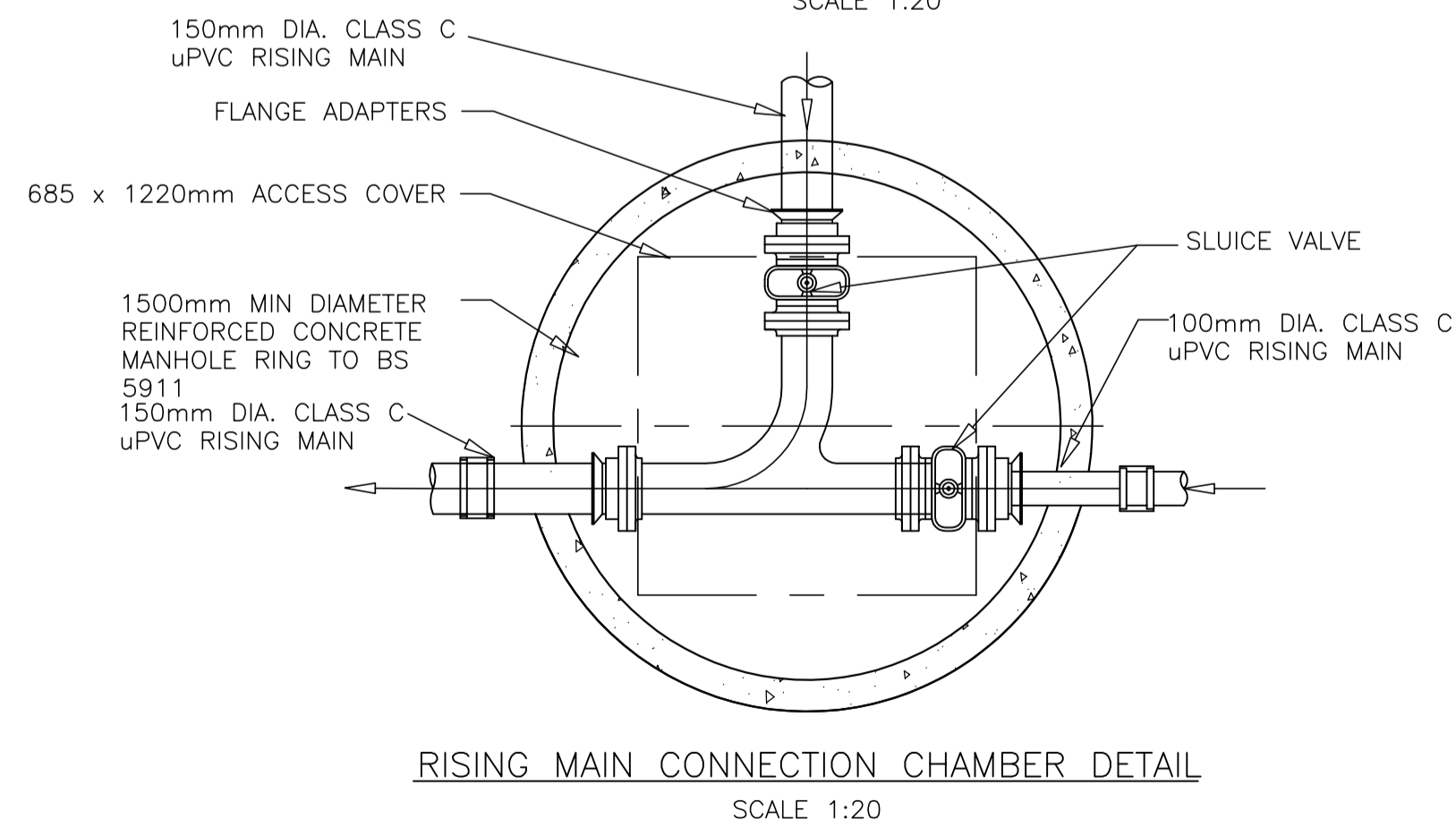
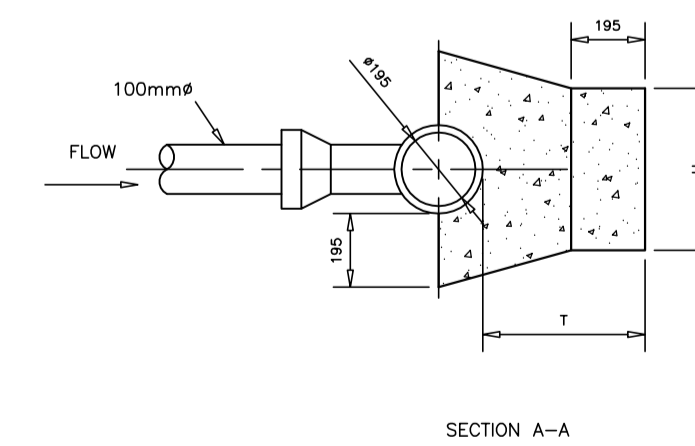
NOMINAL DIAMETER 'D' (mm)	ANGLE 'A' (DEG.)	REQUIRED BEARING		THICKNESS 'T' (mm)
		LENGTH 'L' (mm)	HEIGHT 'H' (mm)	
150	45	1.00	0.70	0.50
		0.60	0.60	0.30
		0.40	0.40	0.25
100	45	0.70	0.70	0.35
		0.50	0.50	0.25
		0.30	0.30	0.15

T-JUNCTION TABLE

NOMINAL DIAMETER 'D1' (mm)	'D2' (mm)	REQUIRED BEARING		THICKNESS 'T' (mm)
		LENGTH 'L' (mm)	HEIGHT 'H' (mm)	
150	100	0.66	0.66	0.35

ANCHOR BLOCK TABLE

NOMINAL DIAMETER 'D' (mm)	ANGLE 'A' (DEG.)	REQUIRED BEARING		THICKNESS 'T' (mm)	WIDTH 'W' (mm)
		LENGTH 'L' (mm)	HEIGHT 'H' (mm)		
150	VALVE REDUCING PIPE PIPE TERMINATION	1.20	0.60	0.40	0.30
		-	-	-	-
100	VALVE REDUCING PIPE	1.20	0.60	0.30	0.30
		-	-	-	-



- DO NOT SCALE FROM THIS DRAWING. ALL DIMENSIONS MUST BE CHECKED/VERIFIED ON SITE
- All sewers to be constructed in accordance with W.S.A. SEWERS FOR ADOPTION (6th Edition) and Civil Engineering Specification for the Water Industry (CESWI) 6th Edition.
  - This drawing is to be read in conjunction with all other relevant Engineers and Architects details
  - All work is to be carried out in accordance with the current British Standards, B.S. codes of practice & Building Regulations.
  - Refer to CESWI for concrete grades & sand / cement mortar grades. Use Polyester resin mortar where covers and frames situated in NRSWA road categories I, II or III.
  - All pipes entering & exiting manholes are to be connected with pipe soffits level.
  - Pre-formed channels are to be used at manholes.
  - High strength concrete benching to be steel frowelled to a dense smooth face neatly shaped & finished to all branch connections & laid in accordance with the CESWI.
  - All dimensions are in millimetres unless noted otherwise.
  - Pipe bends to suit direction of flow.
  - All manhole covers and frames to be Ductile Iron Heavy Duty Grade D400 double triangular to BS EN 124.
  - First flexible joint in pipes adjacent to a manhole shall be a max. 600mm from inside face of manhole, connecting to rocker pipe. For pipe diameters 150 - 450 the rocker pipe length shall be 500mm-750mm and for pipe diameters 451 - 675 rocker pipe shall be 750mm-1000mm.
  - All trenches within adoptable highway to be backfilled with Type 1 material.
  - Drawing is not to be scaled. All dimensions are to be checked on site.
  - Thrust Blocks to be located centrally about bend or tee.
  - Reinforced anchor blocks both faces
    - Horizontal T10 @ 150 Centrs
    - Vertical T10 @ 150 Centrs