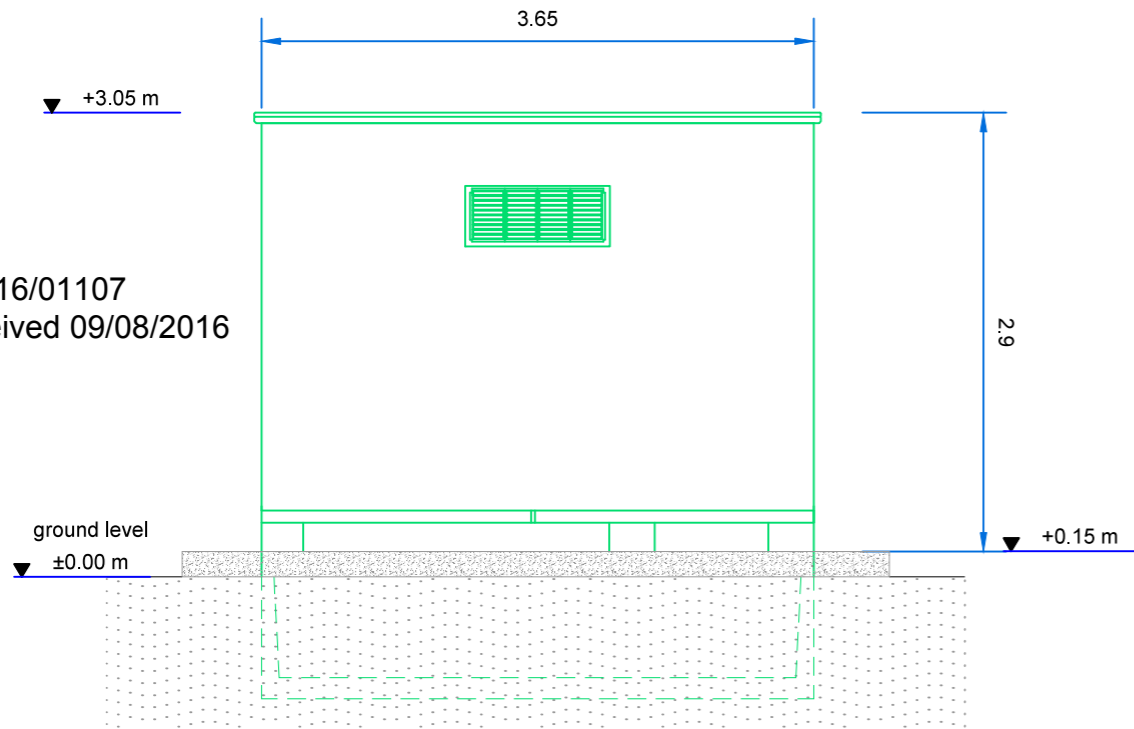
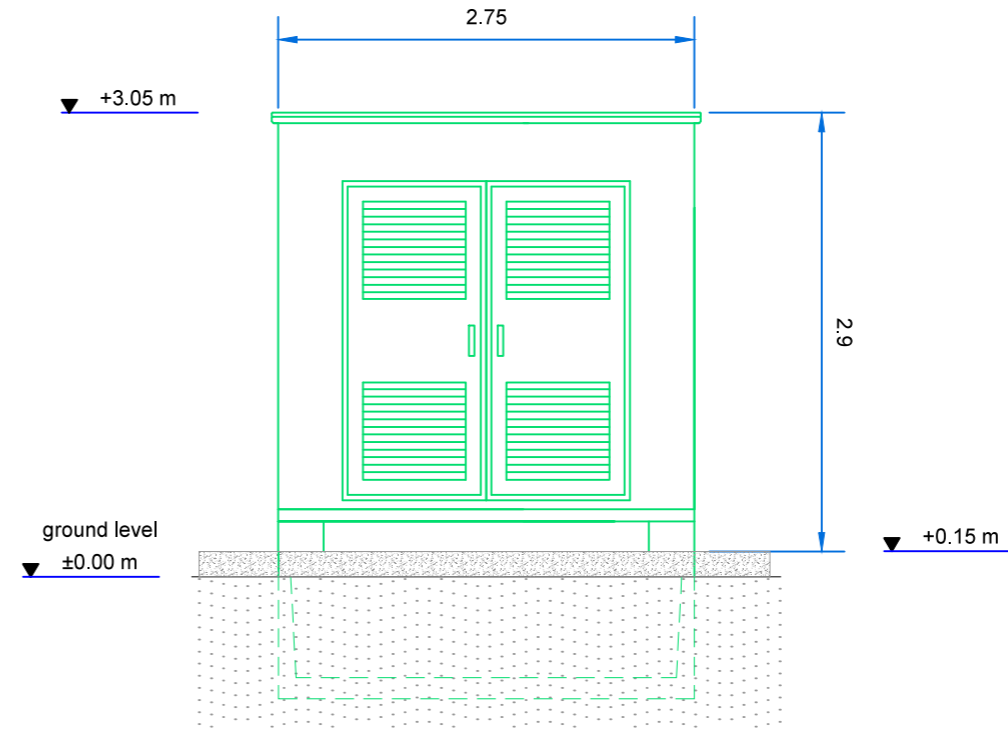


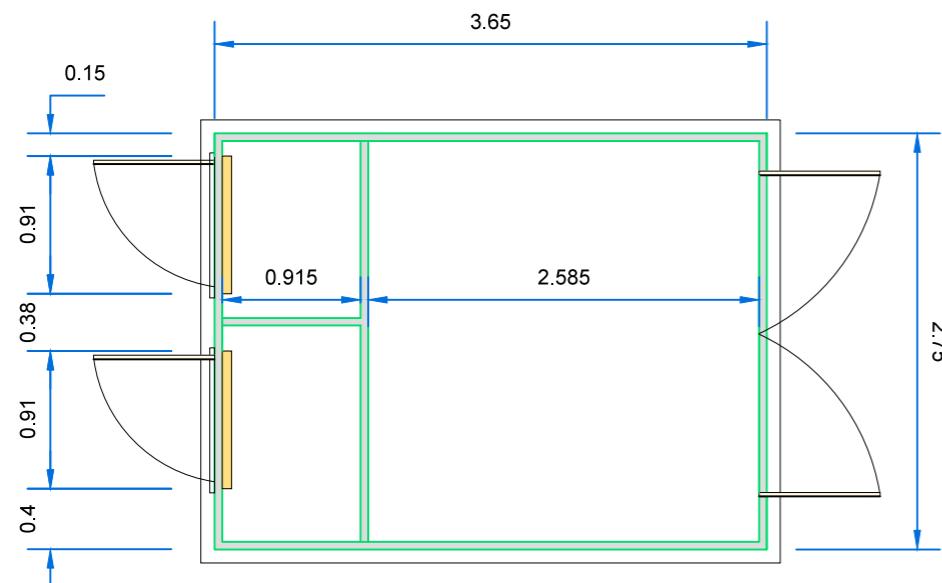
P/2016/01107
Received 09/08/2016



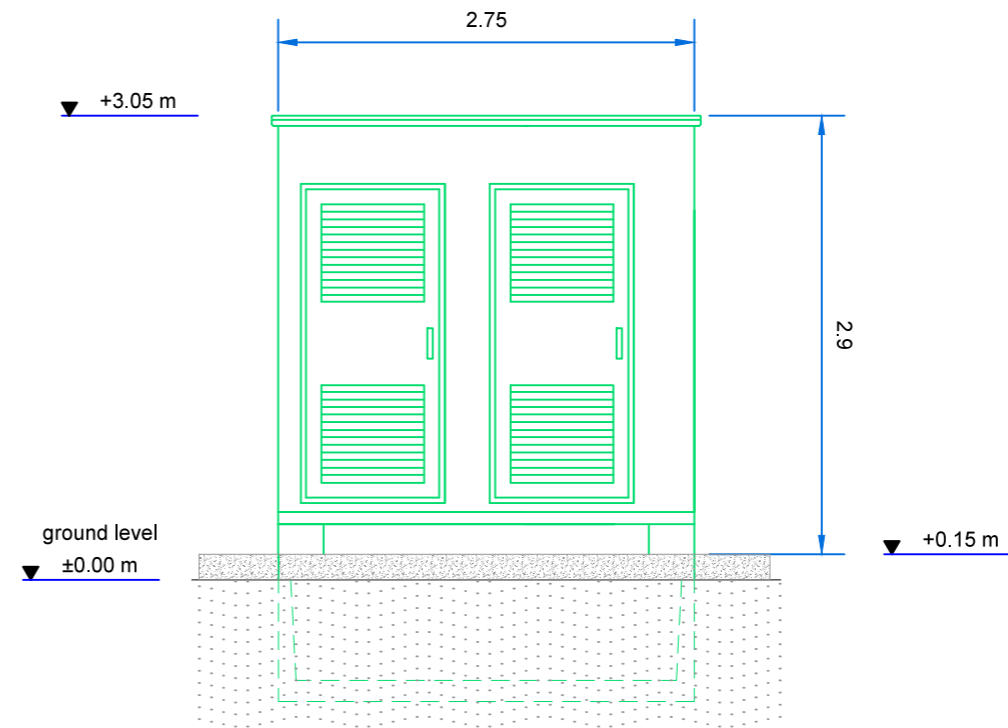
front & rear view



side 1 view



top view



side 2 view

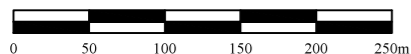
DRAWING NUMBER
Details of the plant 6

DRAWING TITLE
Customer Substation

NOTE
1. Dimensions in metres
2. The housing is of GRP construction sitting on a steel subframe base sitting on concrete with approximately 50mm of concrete visible above finished ground level.

3. The colour is 14-C-39 Green BS4800 in a gelcoat

4. Vents are not shown on the GRP housing above but they will be used for cooling purposes for the enclosed transformer



1 : 50 @ A3

Our Ref number: Typical 6

Reproduction is permissible only with prior consent.
Scale from this drawing only if details of scale and page size are given.
Check that this is the latest version of this drawing.

Rev	Date	Drawn	Check	App'd
00	01 / 07 / 2016	NRM	AM	PVR



39 Austenway,
Gerrards Cross Bucks SL9 8NN
Company Number 10077874
info@lyricenergy.co.uk